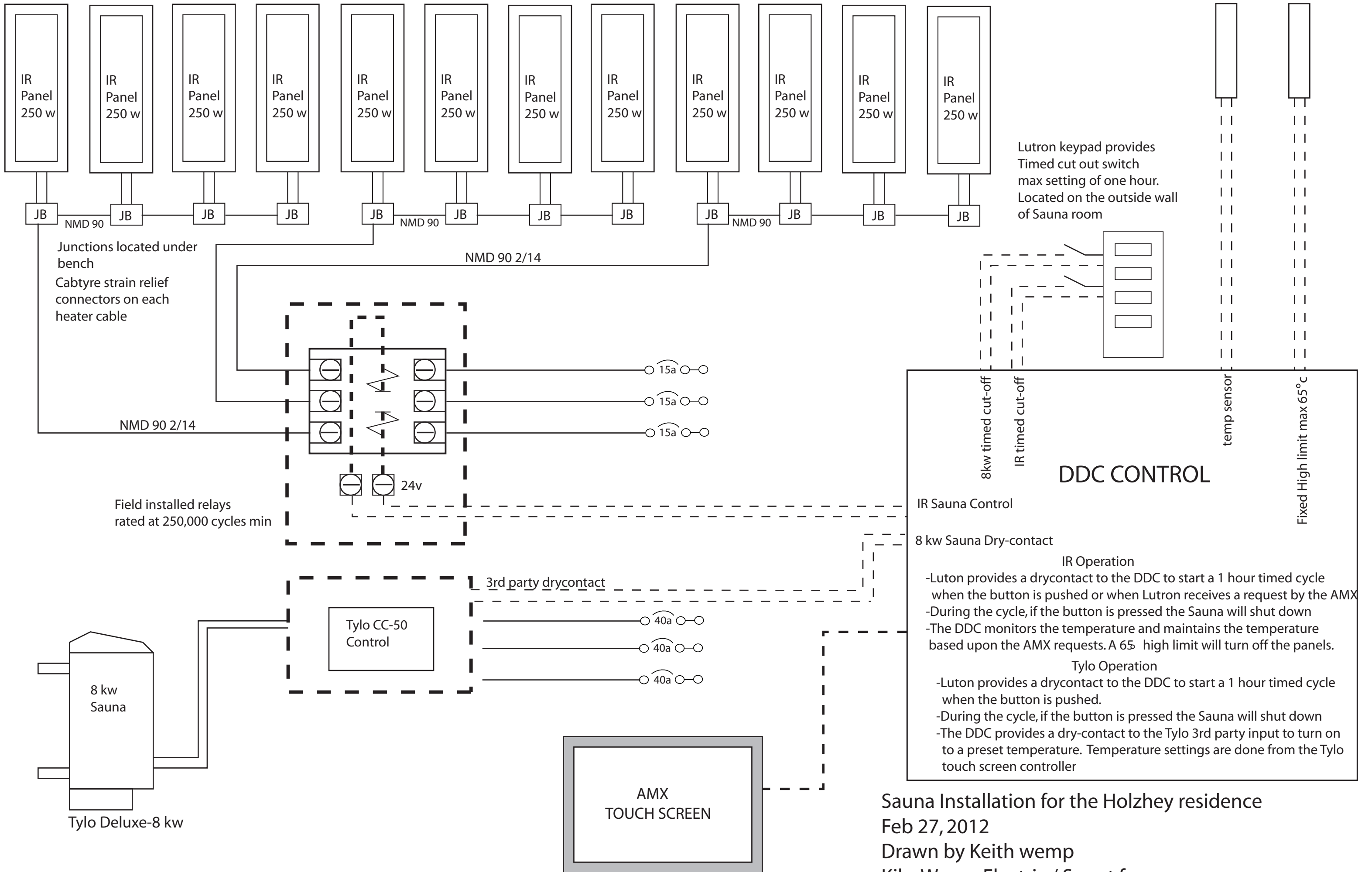


Sunlight Solocarbon Heater kit panels 120v



Lutron keypad provides
Timed cut out switch
max setting of one hour.
Located on the outside wall
of Sauna room

Junctions located under
bench
Cabtyre strain relief
connectors on each
heater cable

NMD 90 2/14

NMD 90 2/14

Field installed relays
rated at 250,000 cycles min

Tylo CC-50
Control

3rd party drycontact

AMX
TOUCH SCREEN

DDC CONTROL

IR Sauna Control

8 kw Sauna Dry-contact

IR Operation

- Lutron provides a drycontact to the DDC to start a 1 hour timed cycle when the button is pushed or when Lutron receives a request by the AMX
- During the cycle, if the button is pressed the Sauna will shut down
- The DDC monitors the temperature and maintains the temperature based upon the AMX requests. A 65 high limit will turn off the panels.

Tylo Operation

- Lutron provides a drycontact to the DDC to start a 1 hour timed cycle when the button is pushed.
- During the cycle, if the button is pressed the Sauna will shut down
- The DDC provides a dry-contact to the Tylo 3rd party input to turn on to a preset temperature. Temperature settings are done from the Tylo touch screen controller

Sauna Installation for the Holzhey residence

Feb 27, 2012

Drawn by Keith wemp

Kilo-Womp Electric / Smart.fx